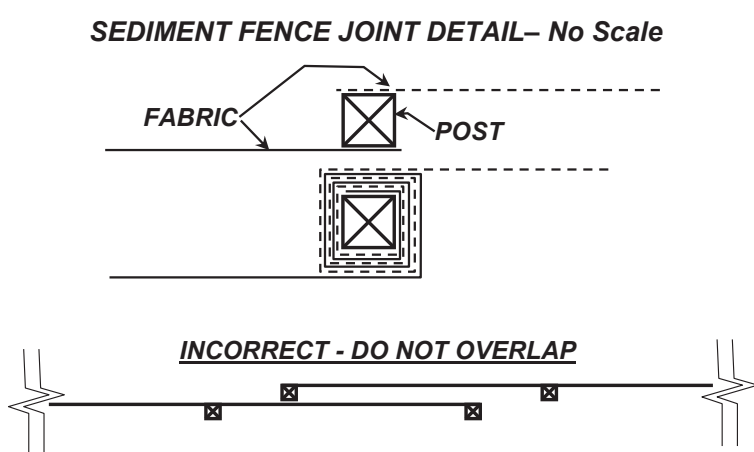
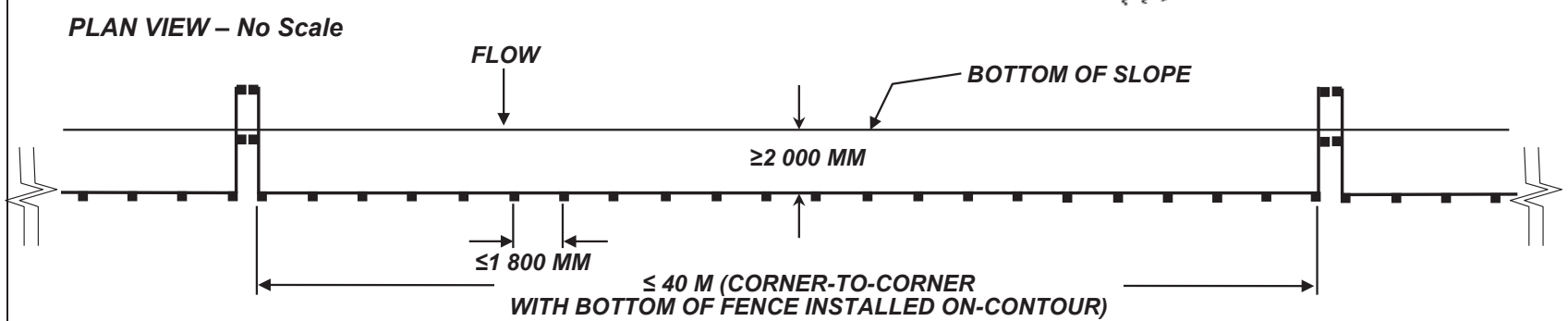
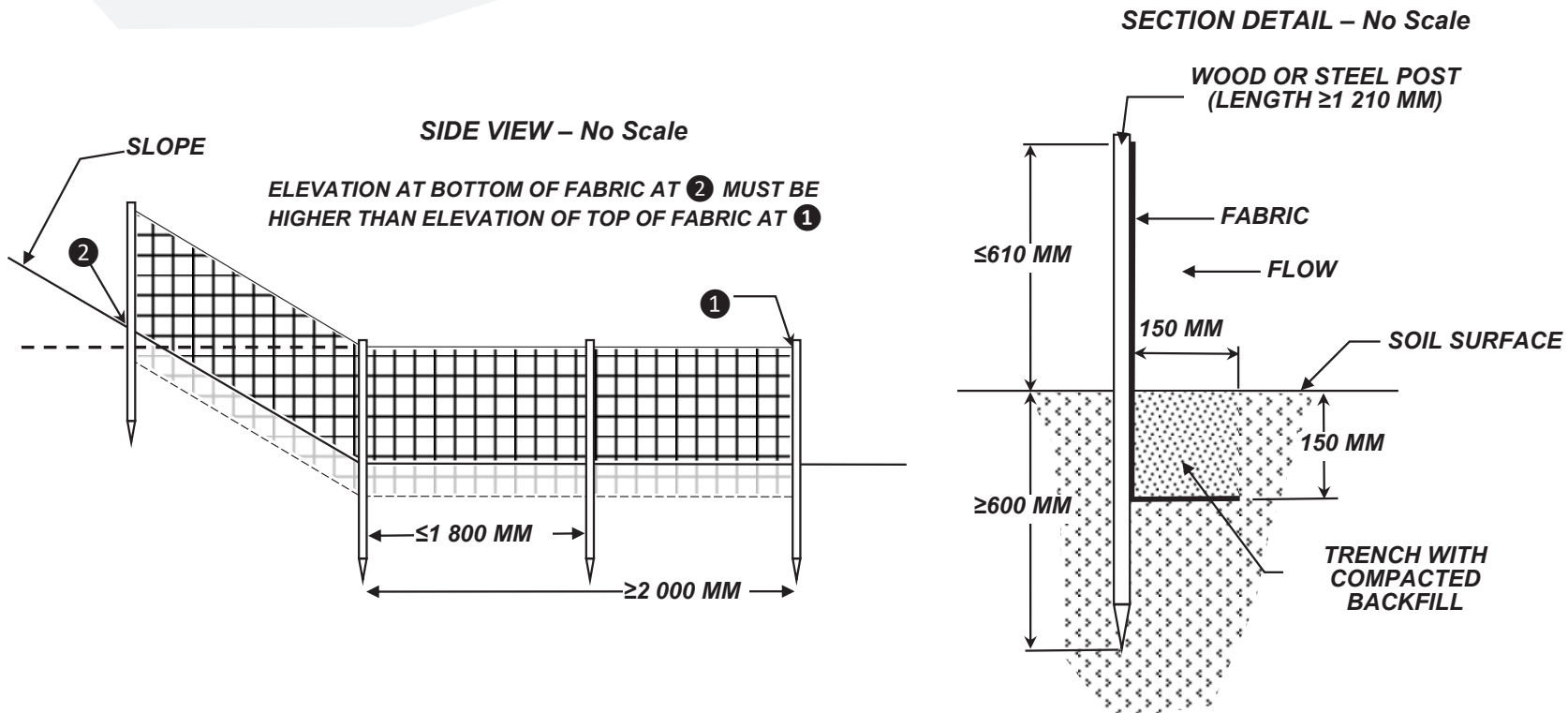
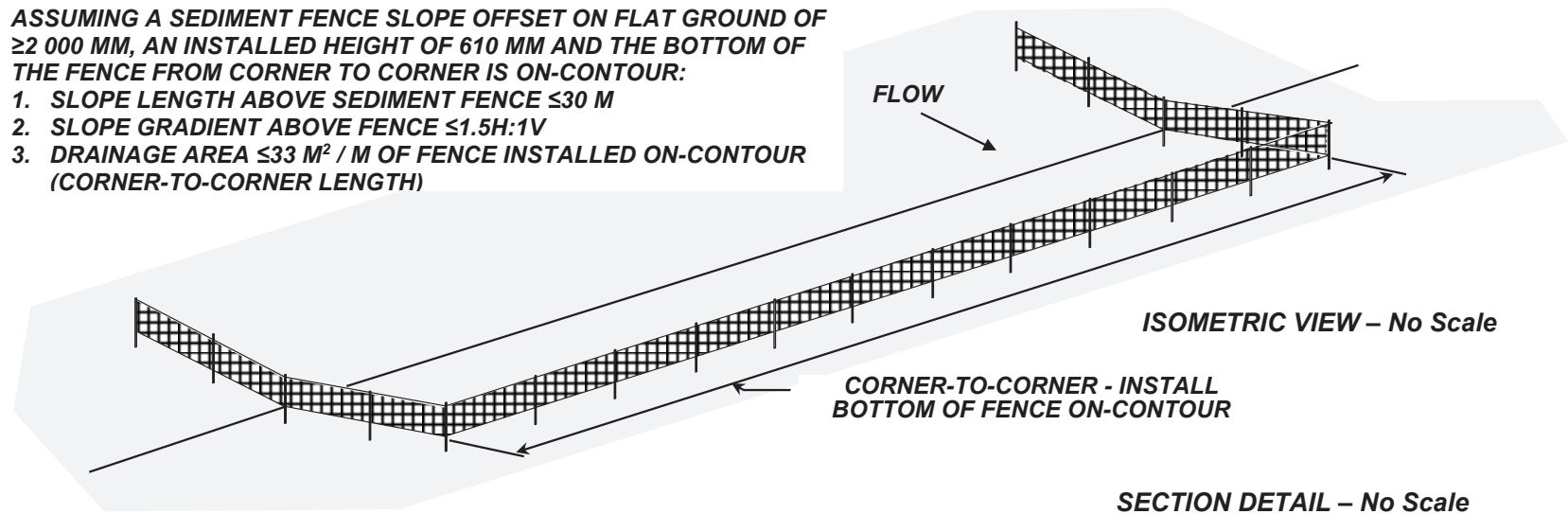
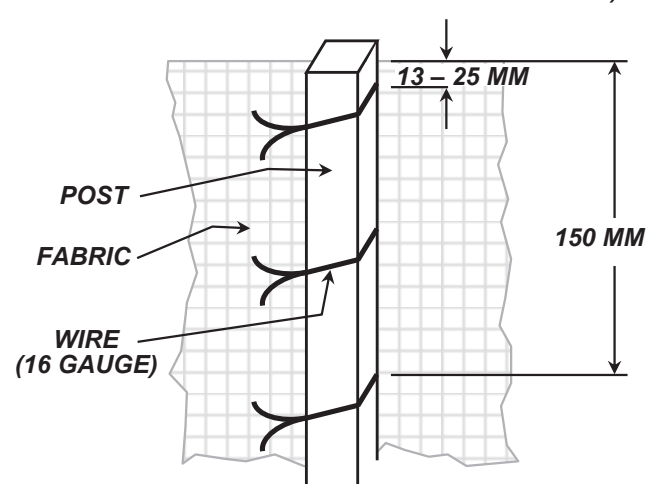


ASSUMING A SEDIMENT FENCE SLOPE OFFSET ON FLAT GROUND OF  $\geq 2000$  MM, AN INSTALLED HEIGHT OF 610 MM AND THE BOTTOM OF THE FENCE FROM CORNER TO CORNER IS ON-CONTOUR:

1. SLOPE LENGTH ABOVE SEDIMENT FENCE  $\leq 30$  M
2. SLOPE GRADIENT ABOVE FENCE  $\leq 1.5H:1V$
3. DRAINAGE AREA  $\leq 33$  M<sup>2</sup> / M OF FENCE INSTALLED ON-CONTOUR (CORNER-TO-CORNER LENGTH)



FABRIC FASTENER DETAIL – No Scale  
(FOR APPLICATIONS WITHOUT PREATTACHED POSTS OR IF FABRIC BECOMES DETACHED FROM POST)



**NOTES:**

1. SEDIMENT FENCE FUNCTIONS BY POOLING RUNOFF TO PROMOTE SEDIMENTATION.
2. SEDIMENT FENCE MUST BE CORRECTLY CONFIGURED, INSTALLED AND MAINTAINED FOR EFFECTIVE SEDIMENT CONTROL FUNCTION.
3. RUNOFF THROUGH, UNDER OR AROUND FENCE IS NOT DESIREABLE.
4. DO NOT INSTALL ACROSS WATERCOURSES OR DRAINAGEWAYS.
5. ENHANCE INTEGRITY OF SEDIMENT FENCE BY INSTALLING ADDITIONAL POSTS.
  - a. IF INSTALLED CORRECTLY, DOES NOT REQUIRE REINFORCEMENT WITH WIRE OR SYNTHETIC MESH.
6. FUNCTIONAL LIFE OF SEDIMENT FENCE IS 1 YEAR.
  - a. SEDIMENT FENCING IS A TEMPORARY CONTROL.
7. SEE SC1 – SEDIMENT FENCE SPECIFICATION FOR ADDITIONAL INFORMATION.
8. FIGURE IS PROVIDED FOR REFERENCE ONLY. CONSULT QUALIFIED PROFESSIONAL FOR SITE-SPECIFIC DESIGN.

**SEDIMENT FENCE**